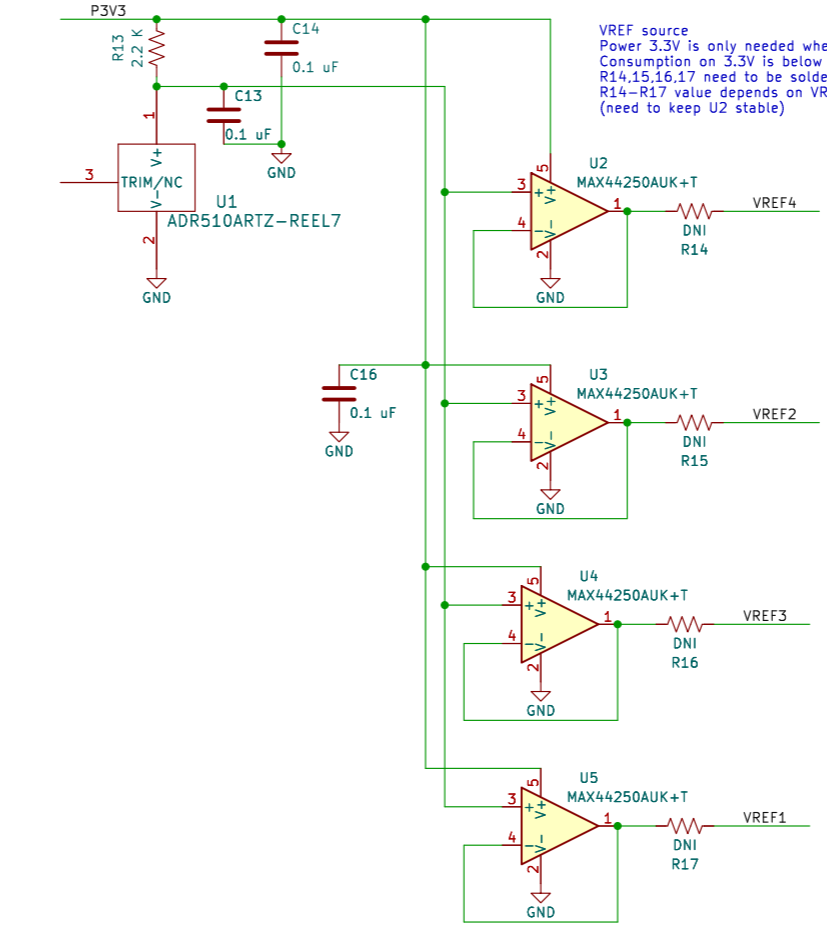
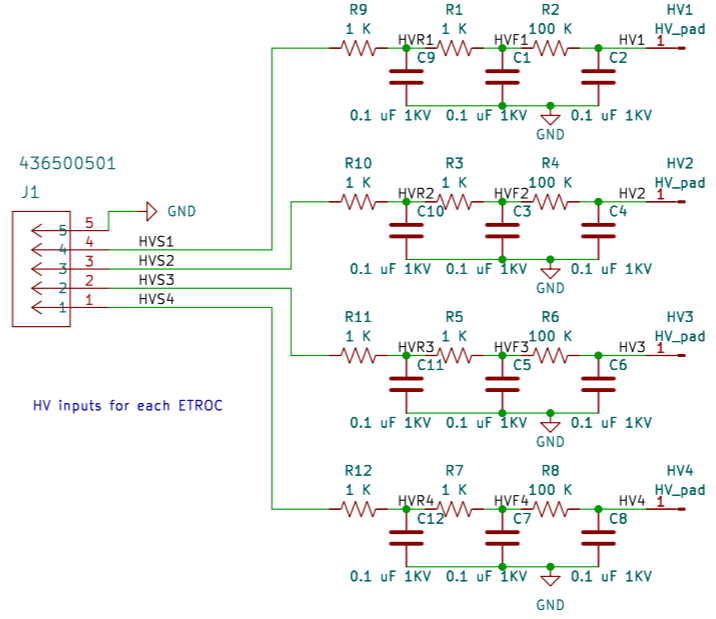
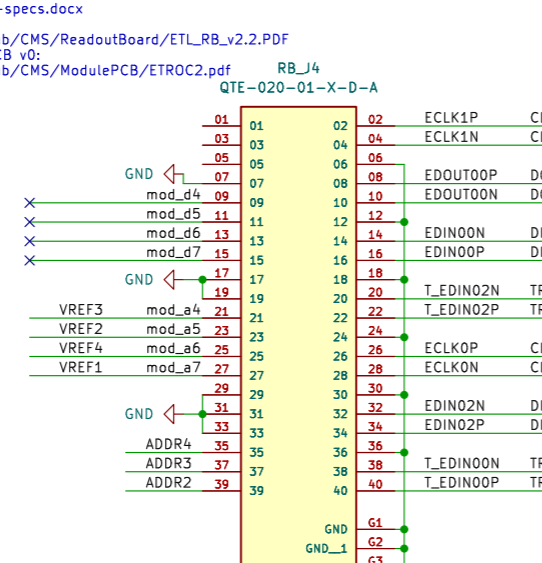


Document: etroc-rb-adapter-specs.docx  
 Readout Board v2:  
[https://twiki.cern.ch/twiki/pub/CMS/ReadoutBoard/ETL\\_RB\\_v2.2.PDF](https://twiki.cern.ch/twiki/pub/CMS/ReadoutBoard/ETL_RB_v2.2.PDF)  
 ETROC test card / module PCB v0:  
<https://twiki.cern.ch/twiki/pub/CMS/ModulePCB/ETROC2.pdf>



VREF source  
 Power 3.3V is only needed when using VREF source  
 Consumption on 3.3V is below 1 mA  
 R14,15,16,17 need to be soldered in to use VREF source  
 R14-R17 value depends on VREF capacitor on ETROC module  
 (need to keep U2 stable)