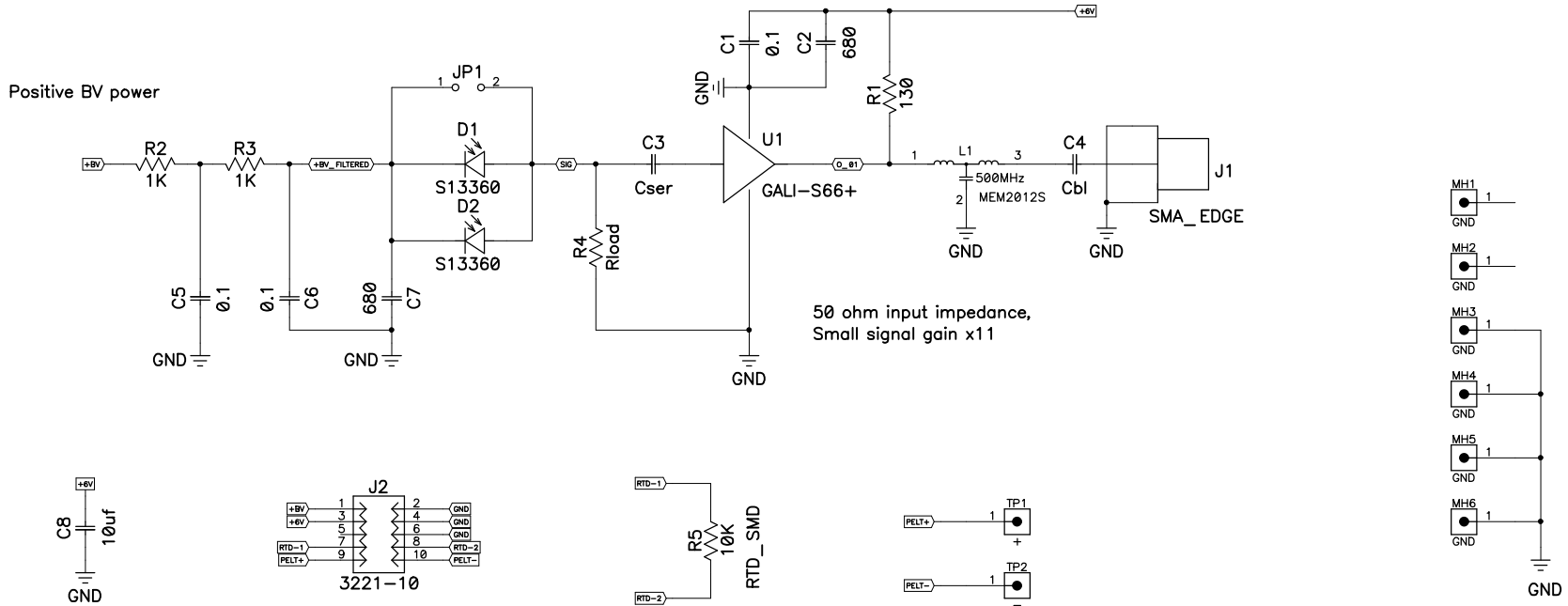



A B C D

Positive BV power



50 ohm input impedance,
Small signal gain x11

CNC Tech. 1A rated connector
30AWG wire is 0.35ohm/m

Originator	S. Los	
Drawn		
Checked		
Approved	S. Los	
 FERMIONAL ACCELERATOR LABORATORY UNITED STATES DEPARTMENT OF ENERGY	Title	
	S13360VE Hamamatsu x11 Aplifier Readout	
Size	Drawing Number	Rev
C		
Filename	Sheet 1 of 1	

A B C D

1

2

3

4

1

2

3

4